

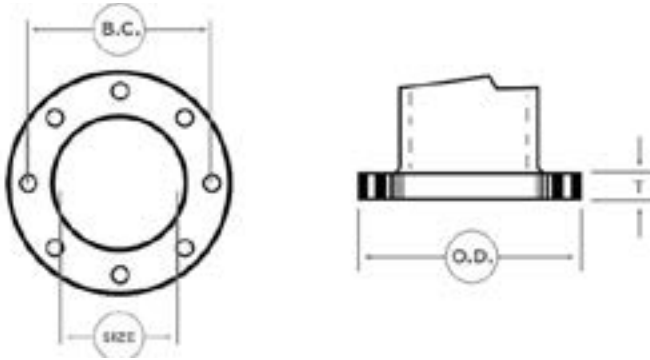


**Submittal Information**

Project Name / Location:	
Engineer:	
Referenced Specs:	
Distributor / Contractor:	

**Optional Specifications**

<b>Coating:</b>	<input type="checkbox"/>	Asphaltic Seal Coat Inside & Prime Coat Red Outside <i>In Accordance With ANSI/AWWA C104/A21.4</i>
	<input type="checkbox"/>	Bare
	<input type="checkbox"/>	Other - Specify:
<b>Lining:</b>	<input type="checkbox"/>	Cement-Mortar - <i>In Accordance With ANSI/AWWA C104/A21.4</i> <input type="checkbox"/> Single Lined <input type="checkbox"/> Double Lined <input type="checkbox"/> Asphalt Coating <input type="checkbox"/> No Asphalt Coating
	<input type="checkbox"/>	Ceramic Epoxy
	<input type="checkbox"/>	Bare
	<input type="checkbox"/>	Other - Specify:



**General Specifications**

- Material:** Ductile Iron per ASTM A536
- Pressure:** 250 PSI rating for 3" - 24" sizes
- Testing:** In accordance with ANSI/AWWA C110/A21.10 and UL, FM requirements
- Laying Length:** 3" - 24" In accordance with ANSI/AWWA C110/A21.10 | ANSI B16.1
- Drilling:** In accordance with ANSI/AWWA C110/A21.10 | ANSI/AWWA C153/A21.53 | ANSI B16.1 Class 125 Flanges
- Weight:** Are in pounds, unless noted otherwise and do not include accessories, cement lining and coating
- Dimensions:** All dimensions are in inches unless noted otherwise
- Installations:** Per ANSI/AWWA C600 and C111
- Approvals:** 3" - 24" UL Listed | 3" - 12" FM Approved | 3" and higher NSF 61  
Please consult Electrosteel USA for detail listing and approvals

**Technical Specifications**

Select Size	Size	O.D.	B.C.	T	Bolt Hole Dia.	Bolt		
						No.	Size	Length
	3	7.50	6.00	0.75	0.75	4	5/8	2 1/2
	4	9.00	7.50	0.94	0.75	8	5/8	3
	6	11.00	9.50	1.00	0.88	8	3/4	3 1/2
	8	13.50	11.75	1.12	0.88	8	3/4	3 1/2
	10	16.00	14.25	1.19	1.00	12	7/8	4
	12	19.00	17.00	1.25	1.00	12	7/8	4
	14	21.00	18.75	1.38	1.13	12	1	4 1/2
	16	23.50	21.25	1.44	1.13	16	1	4 1/2
	18	25.00	22.75	1.56	1.25	16	1 1/4	4 1/2
	20	27.50	25.00	1.69	1.25	20	1 1/8	5
	24	32.00	29.50	1.88	1.38	20	1 1/4	5 1/2